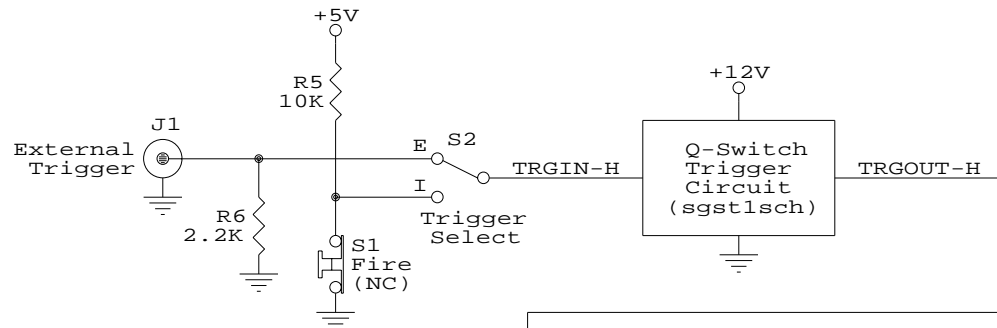
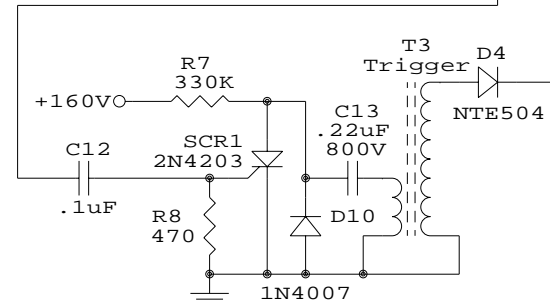


LV Power Supplies

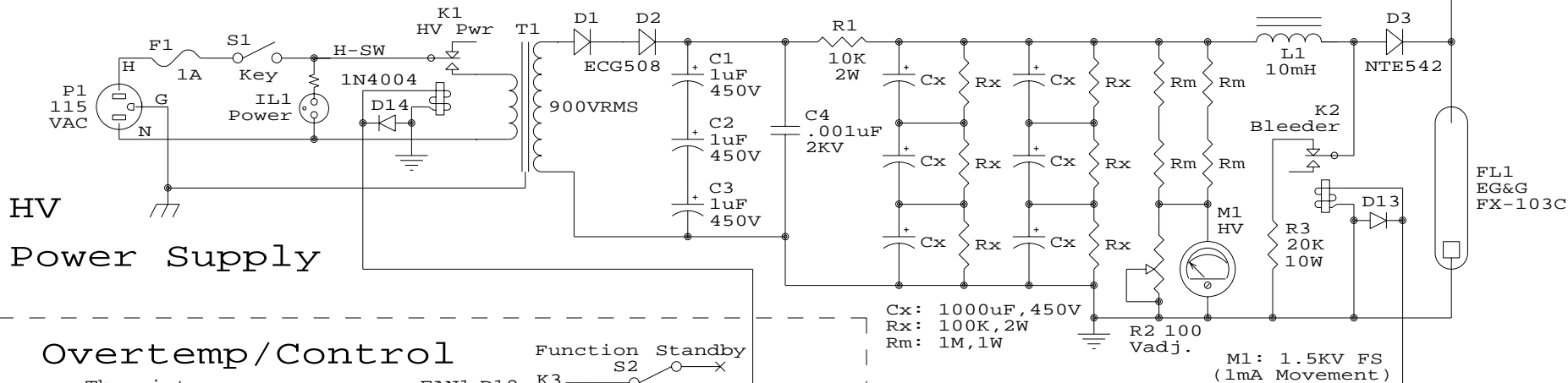


Trigger

For use with no Q-Switch circuit, jumper TRGIN-H to TRGOUT-H.



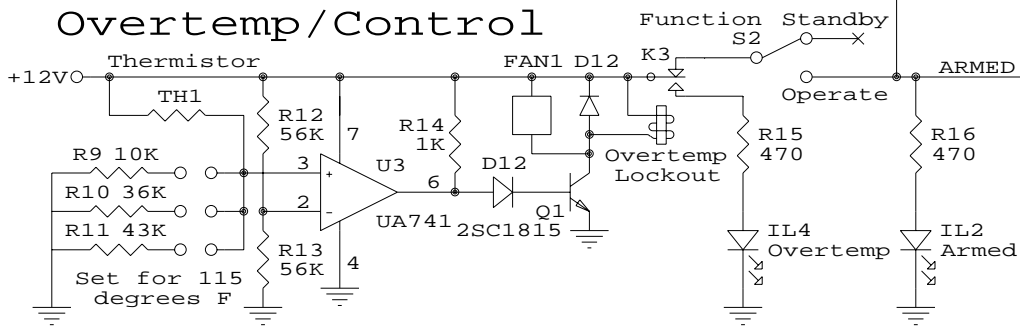
Wes's Ruby Laser PSU (WE-SP1)



HV Power Supply

Cx: 1000uF, 450V
 Rx: 100K, 2W
 Rm: 1M, 1W
 M1: 1.5KV FS (1mA Movement)

Capacitor Bank Energy Max: 479J



Overtemp/Control

Designed and built by: Wes Ellison		
Redrawn by: Samuel M. Goldwasser sam@repairfaq.org		
Title Wes's Ruby Laser Power Supply (WE-SP1)		
Size	Document Number	REV
A	WE-SP1-SCH	1.3
Date:	May 5, 2005	Sheet 1 of 1